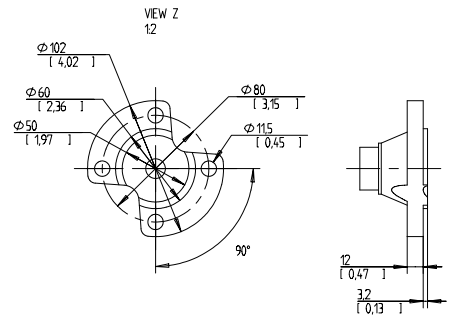
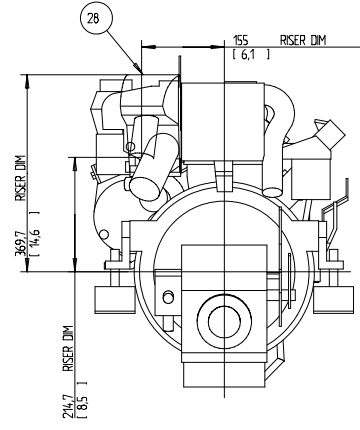
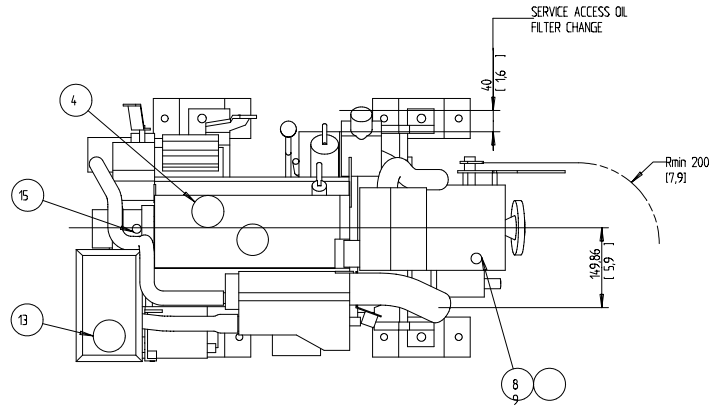
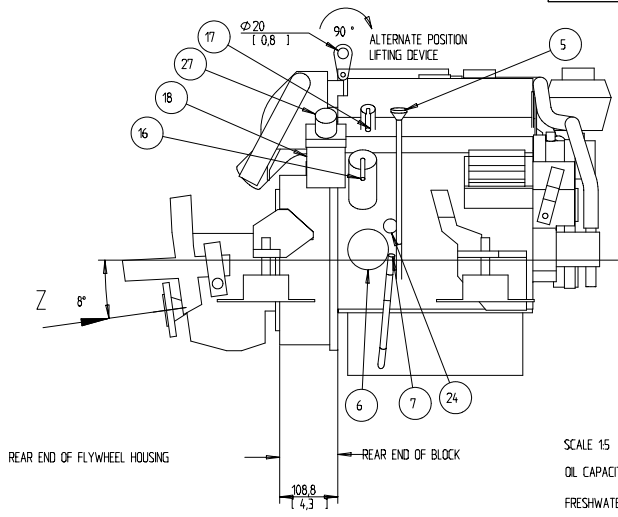
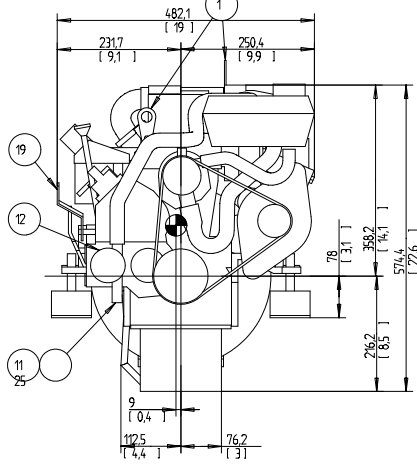
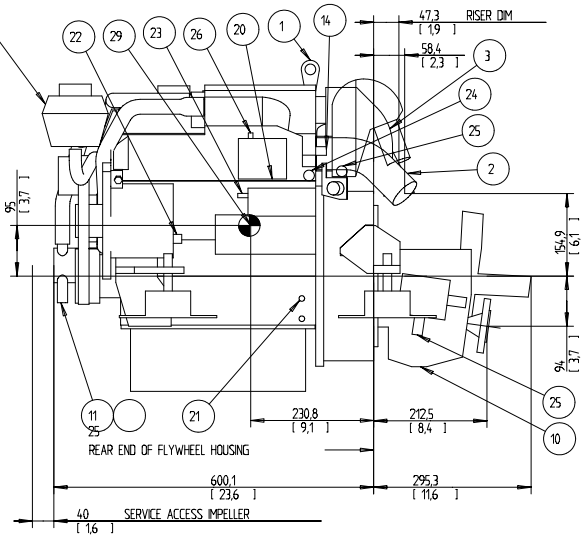


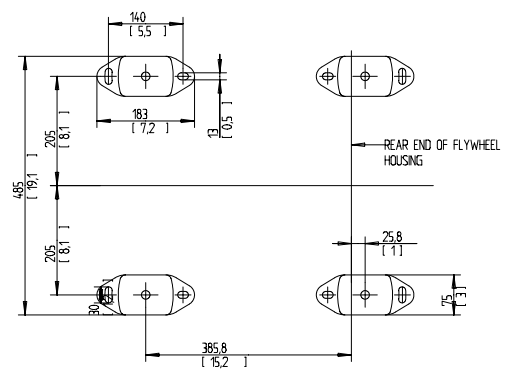
EXPANSION TANK CAN BE BULK HEAD MOUNTED  
THEN USE HOSE Ø75 943366 AND Ø16 952969



SCALE 1:5  
OIL CAPACITY INCLUDING OIL FILTER: 5.7 LITERS  
FRESHWATER SYSTEM CAPACITY: 6.4 LITERS  
WEIGHTS:  
DRY 161 kg  
OIL & WATER 169 kg

DIMENSION IN MILLIMETRES AND (INCHES)

NR	ITEM
1	LIFTING DEVICE
2	EXHAUST ELBOW FOR HOSE ID 45(1.75)
3	AIR FILTER (SILENCER)
4	OIL FILLING
5	OIL DIPSTICK ENGINE
6	OIL FILTER
7	OIL DRAIN (WITH PUMP) ENGINE ID 8 (0.35)
8	OIL DIPSTICK REVERSE GEAR
9	OIL FILLER CAP REVERSE GEAR
10	OIL DRAIN REVERSE GEAR
11	SEAWATER INLET FOR HOSE ID 190(7.5)
12	SEA WATER PUMP
13	WATER FILLER CAP FRESH WATER
14	HOTWATER OUTLET
15	HOTWATER INLET
16	FUEL CONNECTION FOR HOSE ID 10 (3/8)
17	FUEL RETURN CONNECTION FOR HOSE ID 10 (3/8)
18	FUEL FILTER
19	SPEED CONTROL LEVER
20	CONNECTION BOX FOR EXTENSION CABLE
21	BATTERY MINUS (-) CONNECTION
22	PLUS (+) CONNECTION FOR CHARGING DISTRIBUTOR
23	STARTER BATTERY PLUS (+) CONNECTION
24	WATER DRAIN FRESH WATER
25	WATER DRAIN SEAWATER
26	AUTOMATIC FUSE RESET
27	HAND PRIMER PUMP
28	RISE (OPTIONAL)
29	CENTRE OF GRAVITY



© VOLVO PENTA AB 2003  
DRAWING METHODS STD 00-5600  
AND STD 522560

The copyright and all other rights in this document are reserved by Volvo Penta AB. No part of this document may be reproduced, stored in a retrieval system, or transmitted in any form or by any means, electronic, mechanical, photocopying, recording, or by any information storage and retrieval system, without the prior written permission of Volvo Penta AB.

ENGINE DIMENSIONS  
D2-40/MS15A

Document type  
DIMENSION DRAWING

Document No.  
3591394

Sheet No.  
101

Scale  
1:1

Size  
A4

3591394-01 - Downloaded from www.volvo-penta.com 27/03/2015 19:39:57